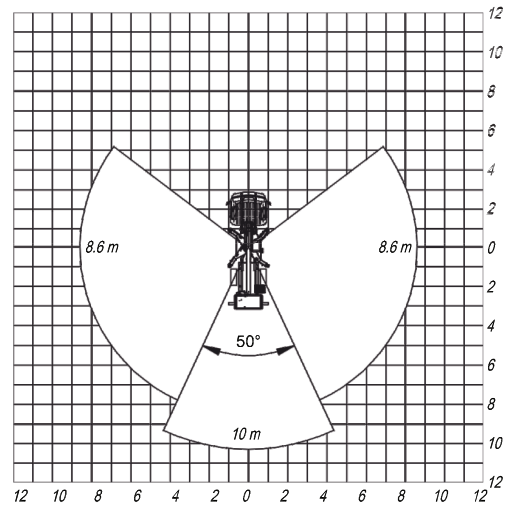
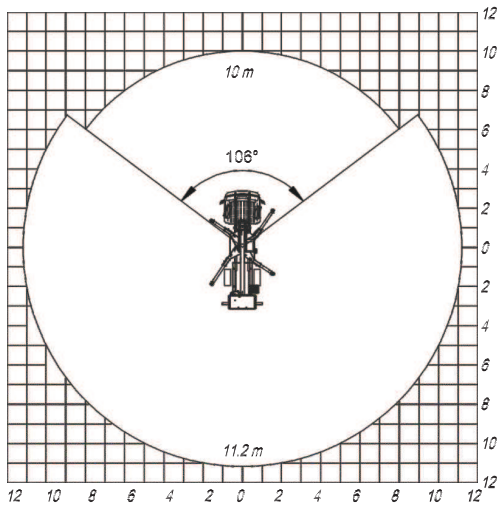
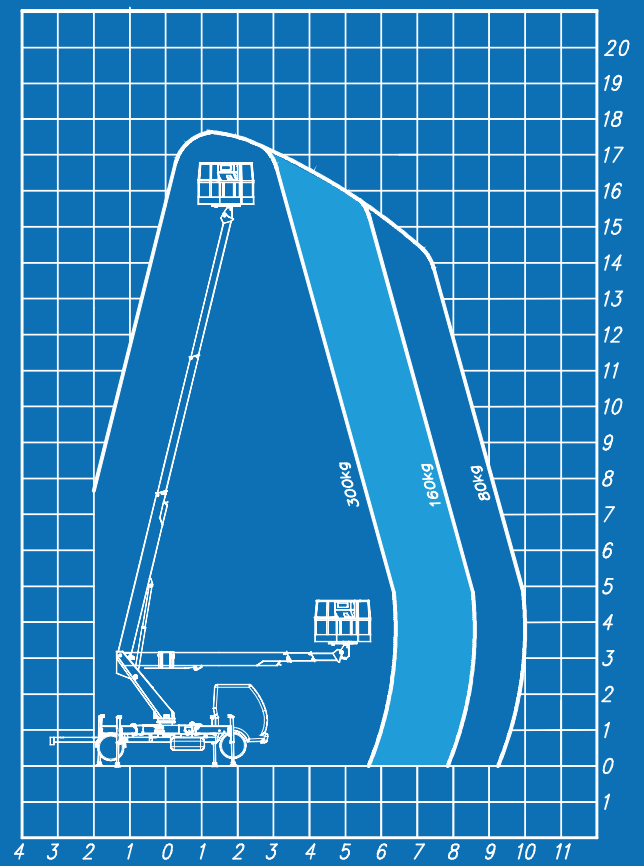
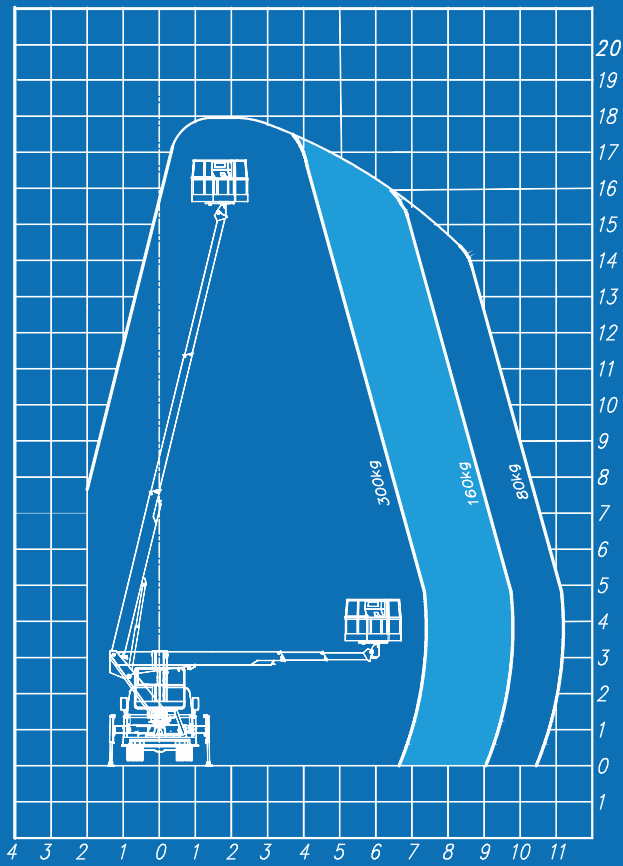


maximum

medium



18,00 m

16,00

11,50 m

300 kg

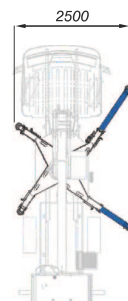
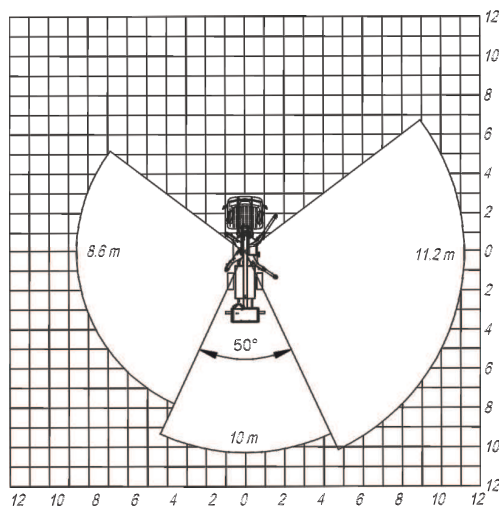
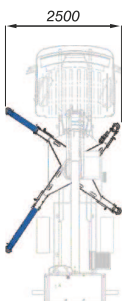
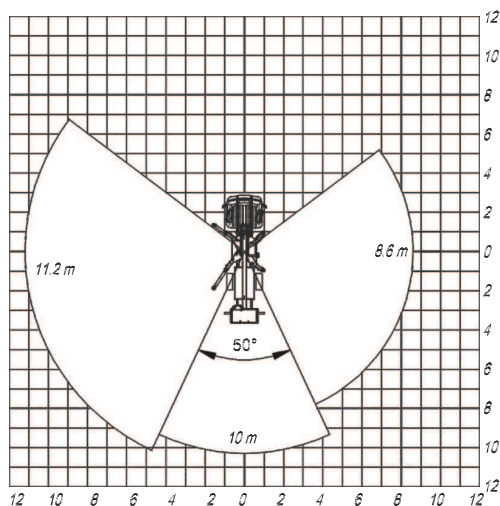
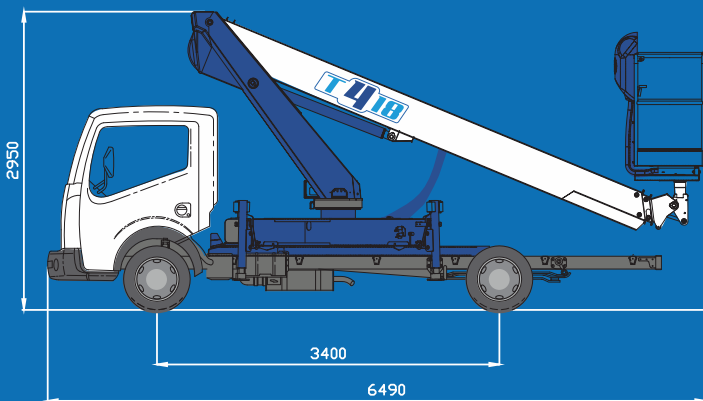
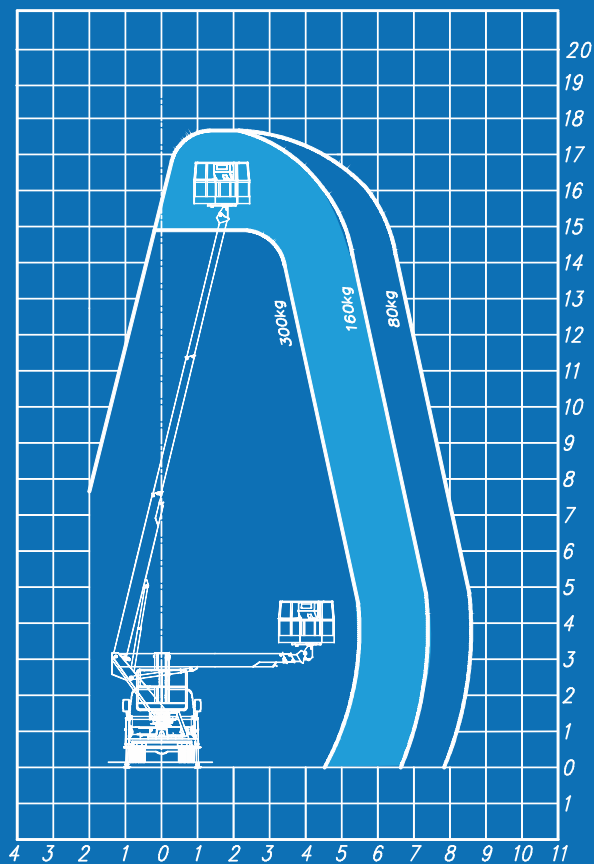
1,4x0,7x1,1 m

minimum

T418

forSte.it

XFACTOR



700°



alluminium



90°+90°



ME+ME



Hydraulic